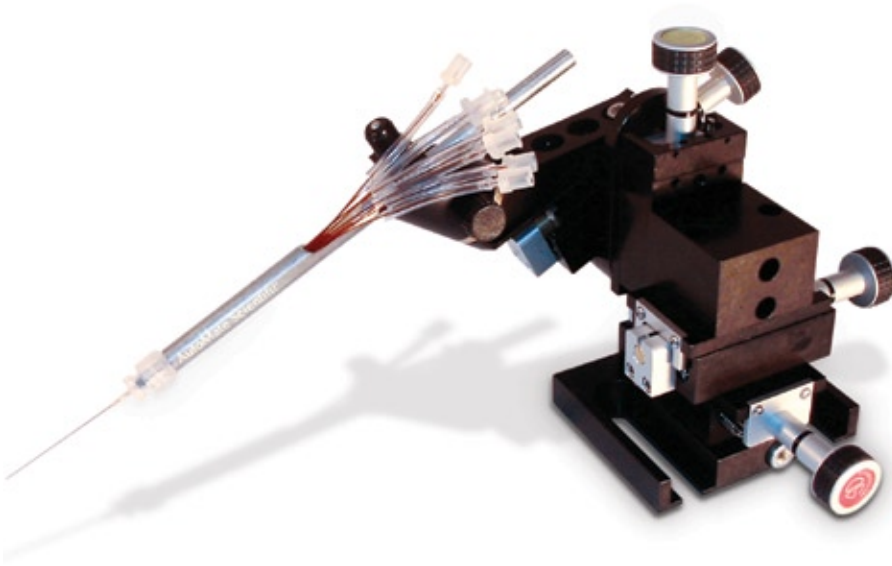


Stability and full features at a great price.



Manual Base Mount Micromanipulators

- **Four-axis control with soft touch knobs on all models shown**
- **Five or ten micron accuracy**
- **Combine with a Perfusion Pencil[®] for focal drug application**

The AutoMate Scientific Perfusion Pencil makes a perfect companion to these four-axis micromanipulators. Mount the Perfusion Pencil for micron accurate drug delivery and rapid rotational change-out. The small SD-10 manipulator offers 5 μm resolution. Its compact size makes it ideal for stimulator applications. The SD-130 manipulator is designed to maximize available space. Its narrow profile allows several manipulators to be placed in one quadrant. With a long 22 mm (0.86 inches) of travel on its probe axis and X axis, the SD-160 is ideal for axial cell probing. It includes an adapter mounted to the Θ axis with a rotational stop for convenient electrode/pipette replacement.



SD-10 Miniature Micromanipulator

The SD-10 is a miniature micromanipulator ideal for positioning applications requiring micron-level resolution. DT100 series stages use a precision-rolled 80 TPI lead screw for smooth positioning along their entire travel. The miniature dovetail slide uses an adjustable spring-loaded gib design. This feature ensures stability, straightness of travel and also works as a locking mechanism. The device is equipped with a fourth axis which can be set at any angle through 360° of motion.

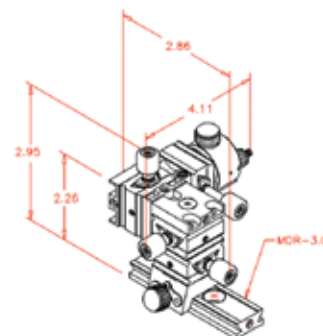
The compact size of the SD-10 makes it ideal for stimulator applications. The mounting method makes removal and replacement very straightforward. The addition of a simple stop allows repeatable placement.

Manipulators Ordering Information

Part No.	Product Description	Price
SD-10	4 axis mini micromanipulator (specify right or left hand)	\$ 495
SD-130	4 axis compact micromanipulator	\$ 675
SD-160	4 axis full micromanipulator	\$ 990

U.S./Canada prices shown. International prices add 20%. Email or visit web store for latest prices.

SD-10 Micromanipulator



Only 4.11 x 2.95" (10.44 x 7.49 cm)

SD-10 Performance Specs



- 10 mm travel in all 4 axes
- Dovetail mounting rail for easy removal or replacement
- Maximum load 0.5 lbs
- Travel/axis 0.39 inch (10 mm)
- Resolution 5 µm

