

**Fixed Platform System #1 -
Parts Required as pictured
(right)**

Model	Quantity
8090P	1
PSR-6	3
BB-5.0	2
RTC-0.5	1
RTC-A3	1
AS-1A	3
PH-1	1

Basic Platform System 2



**Fixed Platform System #2 -
Parts Required as pictured
(above)**

Model	Quantity
8090P	1
1280P	2
PSR-6	4
AS-1A	4
PH-1	1

**Fixed Platform System #3 -
Parts Required (not pictured)**

Model	Quantity
1280P	1
AS-1A	1
BB-1	2
RTC-0.5	1
RTC-A3	1
PH-1	1

Adapt your microscope to any application.



Basic Platform Systems

Fixed platforms, stages and shelves can be built from custom pieces or from standard configurations. Many platforms begin with the model 8090P perfusion chamber holder or mounting plates. The platform is held up by several spacers and support rods or towers.

Please contact AutoMate Scientific with your microscope model and application (patch clamping, multi-site patch clamping, blind patch or extracellular work, etc.) and we can configure an economical platform for your inverted or upright microscopes.

Manual and motorized microscope mounting.

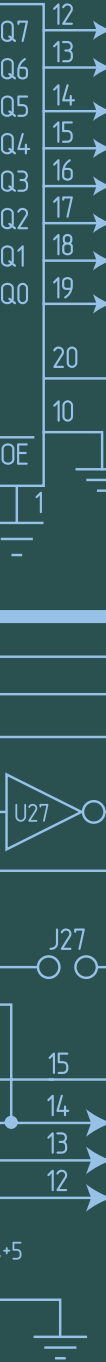


Manual & Motorized Microscope Platform

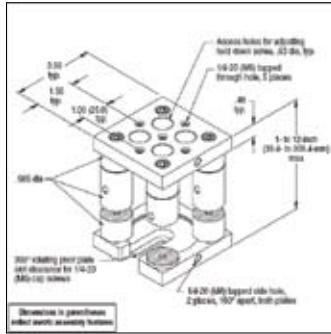
The MXZP platform system can be custom tailored to suit your needs. The platform configuration shown is just one of many that Siskiyou can produce.

The system is supported by our 100cr series stages (crossed roller). They are available in manual or motorized versions. A full 25mm of travel is provided on both models. The manual versions, can be fitted with either 20, 40, 80, or 100 TPI adjustment screws with resolution from 20 μm down to 5 μm , respectively. Please specify which pitch of adjustment screw you require when ordering. Replace -xx in the Model Number with the desired thread.

Motorized versions can be controlled with any e series and MC2000 controllers. Our controllers drive the stage through a closed loop interface between the controller and the motor encoder. The closed loop connection ensures 0.2 μm and 0.1 μm resolution, respectively. The encoder coupling also enables the use of the DR1000 digital readout for repeated or relative positioning requirements. All cables are shielded to ensure noise-free operation during sensitive electrophysiology experiments.



Features



- 2.5- to 12.0-inch vertical adjustability
- Solid aluminum construction
- Flexible mounting design
- Vacuum compatible versions available upon request

MX512P Platform

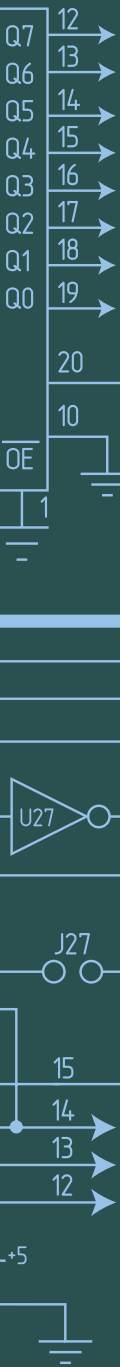


MX312P & MX512P Vertical Platforms

The MX312P is a versatile platform for mounting a variety of hardware at any level on an isolation table or platform. A complete set of AS series spacers allows flexible vertical adjustment from 2.5- to 12.0-inches in 0.5-inch increments.

To adjust the height of the platform, AS-1.5 and AS-2.0 series spacers are screwed together using 1/4-20 set screws. The top and the base plates are attached to the four columns with 1/4-20 cap screws through the counterbored holes. Smaller height adjustments are made by adding AS-.5 and AS-1.0 spacers to the top of the longer AS spacers. These are secured by the final attachment of the top plate with long 1/4-20 screws that go through the top plate and short spacers.

The MX312P base plate is equipped with a unique hold down pivot that allows secure single bolt mounting anywhere on the mounting surface. The top mounting surface is 3" x 3" and has five 1/4-20 tapped holes for maximum mounting flexibility. The top plate is also drilled and tapped with 1/4-20 holes on two sides. These attachment points are designed to accept our MX-APC-T and MX-APT-T top plates. These adapter plates allow the experimenter to remove and replace equipment accurately and easily by loosening two flathead screws.



A solid support solution.



Platform Support Rods & Spacers

Platform Support Rods

The PSR series platform support rods are a solid solution for supporting platforms or other mechanical hardware. Our PSR platform support rods are specifically designed to be used with our 1200 and 12000 series platforms. PSR platform support rods are cross drilled to accept a 3/16 hex wrench. This cross hole enables secure tightening to AS spacers, isolation table tops, or other mechanical devices. When used in conjunction with AS aluminum spacers, accurate placement of our platforms, manipulators, or other devices is easily achieved.

Aluminum Spacers

Use AS aluminum spacers for spacing of any device that needs to be adjusted in either the vertical or horizontal plane. AS spacers can be used by themselves or with ABP series base plates. They are also useful for added height adjustment on top of our PSR platform support rods. For horizontal applications use our BB-1.0 building block cube attached to the top of an AS spacer, then bolt another AS spacer to one or more of the four sides. Individual size spacers are available in packages of 4. The assortment kit (AS-1A) includes one(1) each of AS-0.125, AS-0.25, AS-0.50, AS-1.0, AS-1.50 & AS-2.0 spacers size plus two (2) 1/4-20 x 5/8 stainless steel set screws for attaching the AS-1.50 to the AS-2.00.

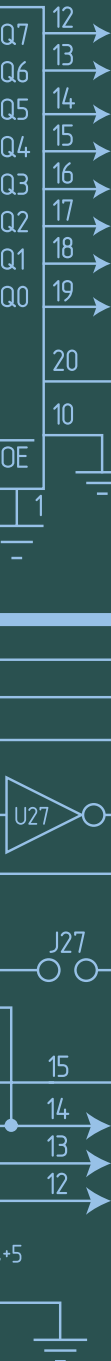
Features

- 2.5- to 12.0-inch vertical adjustability
- Solid aluminum construction
- Flexible mounting design
- Vacuum compatible versions available upon request

PRS Series



AS Series



Siskiyou Fixed Platform Ordering Information

Part No.	Product Description	Price
SD-BB-5.0	Building block, 5.0 inch	\$ 16
SD-RTC-0.5	Rotation/translation clamp, 0.5 inch	\$ 16
SD-RTC-A3	RTC adapter, 1/4-20 or M6 clearance, pkg of 3	\$ 15
SD-PH-1	Platform hardware kit, assortment	\$ 20
SD-8090P	Platform, 8.0" x 9.0", 10.8cm aperture	\$ 275
SD-1280P	Platform, 12.0" x 8.0", beveled	\$ 265
SD-BB-1	Building block, 1.0 inch	\$ 16

Siskiyou Manual & Motorized Platform Ordering Information

Part No.	Product Description	Price
SD-MXZP-i2	Motorized platform with one '200cr' motorized crossed roller XY stage and one 'floater' '200cr' crossed roller XY stage	\$ 9,000
SD-MXZP-xx	Manual platform with one '100cr' XY stage with either 20, 40, 80, or 100 TPI adjustment screws and three 'floater' '100cr' crossed roller XY stages	\$ 6,000

Siskiyou Tower Ordering Information

Part No.	Product Description	Price
SD-MX312-P	Coarse vertical adjustment platform, 3.0"x3.0"	\$ 285
SD-MX312P-T	MX312P top plate	\$ 75
SD-MX312P-B	MX312P base plate	\$ 100

Siskiyou Spacer Ordering Information

Part No.	Product Description	Price
SD-PSR-4.0	1.5" diameter Platform Support Rods x 4.0 inch tall	\$ 50
SD-PSR-6.0	1.5" diameter platform support rod, 6.0 inch	\$ 55
SD-PSR-10.0	1.5" diameter platform support rod, 10.0 inch	\$ 70
SD-AS-1A	Aluminum spacer kit assortment	\$ 20
SD-AS-.125	Aluminum spacers, .125", pkg of 4	\$ 16
SD-AS-.250	Aluminum spacers, .250", pkg of 4	\$ 17
SD-AS-.500	Aluminum spacers, .500", pkg of 4	\$ 18
SD-AS-1.00	Aluminum spacers, 1.00", pkg of 4	\$ 22
SD-AS-1.50	Aluminum spacers, 1.50", pkg of 4	\$ 23
SD-AS-2.00	Aluminum spacers, 2.00", pkg of 4	\$ 25
SD-AS-4.00	Aluminum spacers, 4.00", pkg of 1	\$ 25
SD-AS-6.00	Aluminum spacers, 6.00", pkg of 1	\$ 26
SD-PSR-100	1.5" diameter platform support rod, 100 mm tall	\$ 50
SD-PSR-150	1.5" diameter platform support rod, 150 mm	\$ 55
SD-PSR-250	1.5" diameter platform support rod, 250 mm	\$ 70
SD-AS-25A	Aluminum spacer kit assortment -metric	\$ 20
SD-AS-3	Aluminum spacers, 3 mm, pkg of 4	\$ 16
SD-AS-7	Aluminum spacers, 7 mm, pkg of 4	\$ 17
SD-AS-015	Aluminum spacers, 15 mm, pkg of 4	\$ 18
SD-AS-25-4	Aluminum spacers, 25 mm, pkg of 4	\$ 22
SD-AS-40	Aluminum spacers, 40 mm, pkg of 4	\$ 25
SD-AS-50	Aluminum spacers, 50 mm, pkg of 4	\$ 25
SD-AS-100	Aluminum spacers, 100 mm, pkg of 1	\$ 25
SD-AS-150	Aluminum spacers, 150 mm, pkg of 1	\$ 26

U.S./Canada prices shown. International prices add 20%. Email or visit web store for latest prices.